

10/100 BASE-T SINGLE PORT SURFACE MOUNT MAGNETICS

Features :

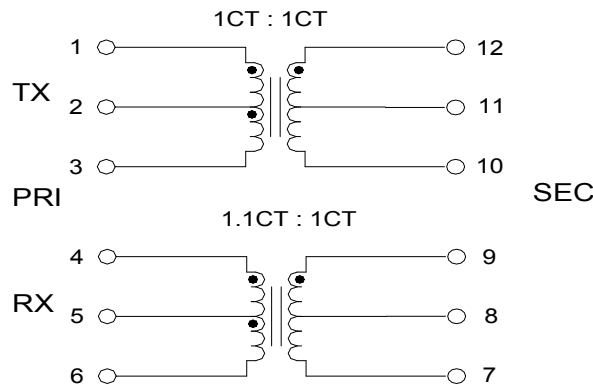
- 1) Meets IEEE 802.3 and ANSI X3.263 standards, including 350µH OCL with 8mA DC bias .
- 2) Designed for reflow soldering at peak temperatures 250°C.
- 3) Compact footprint for use in the most space-restrictive applications .

FW-H1213SD

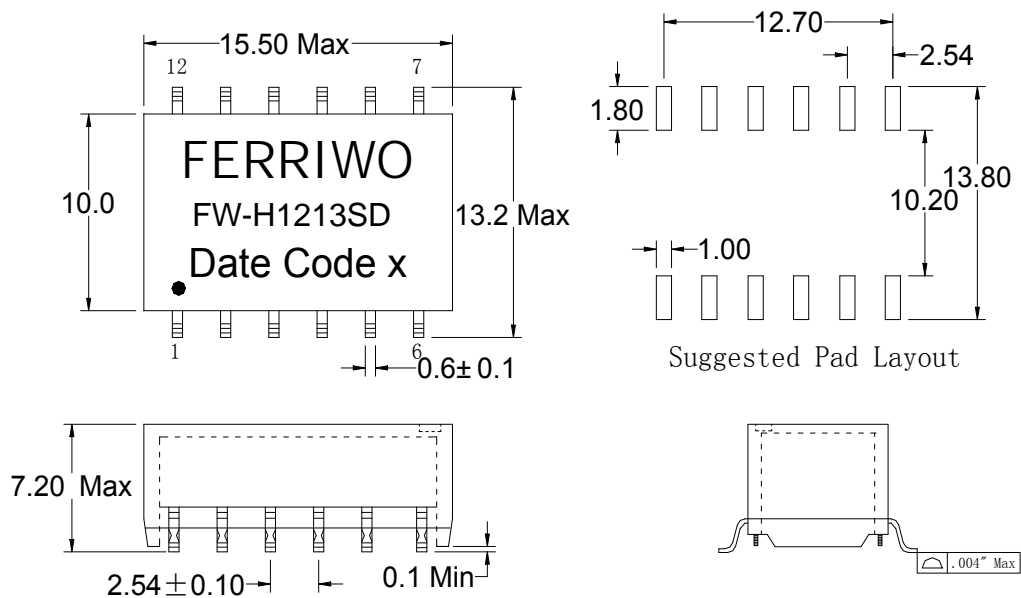
A) Electrical Specifications @ 25°C --- Operating temperature -40°C To +85°C .

Turns Ratio (±3%)	Ls(1-3): Ls(4-6):	Insertion Loss (dB Max)			Return Loss (dB Min.)			Differential to Common Mode Rejection		Hi-Pot (Pri-Sec)
		0.5MHz	100MHz	125MHz	2MHz	30MHz	60~80MHz	1~30MHz	40~100MHz	
(1-3):(12-10) (4-6):(9-7)	100KHz, 0.1V with 8mA DC									1mA,30S
1CT : 1CT 1.1CT : 1CT	350uH Min 424uH Min	-1.0	-3.0	-4.0	-16.0	-9.0	-3.0	-40	-30	3000V ac

B) Schematics



C) Mechanical Dimensions (Unit: mm)



Unless otherwise specified, all tolerances are ± 0.25